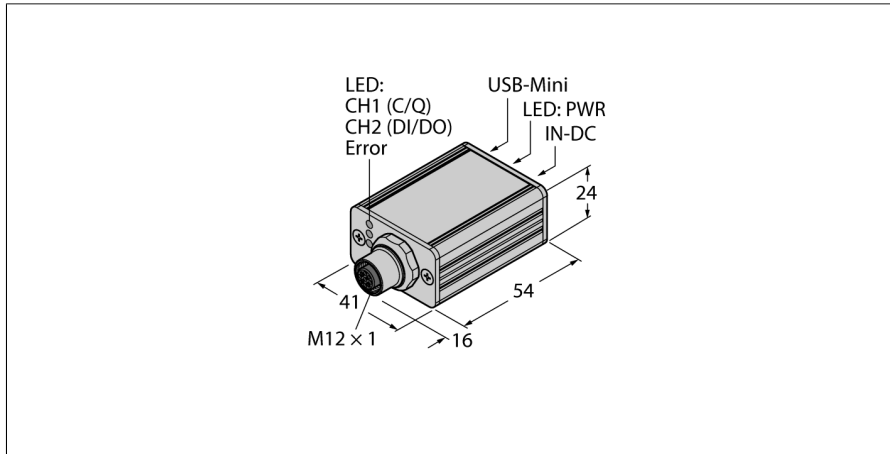


IO-Link Master v1.1 with Integrated USB Port

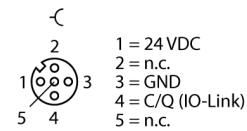
1-Channel Operation in IOL or SIO Mode

USB-2-IOL-0002



- USB-compatible IO-Link master
- Commissioning/parameterization of IO-Link devices via FDT/DTM
- Control environment not required
- Transmission of process and service data
- Integrated connectors: USB/B, M12 × 1, power supply
- Power supply via USB or external power supply unit (included in set)
- Compact aluminum housing
- Protection class IP40

M12 × 1



Type	USB-2-IOL-0002
ID	6825482

IO-Link	
IO-Link	1-channel operation in IOL or SIO mode
Function	SIO, COM1, COM2, COM3
Number of IO-Link port	1
Network	USB

Electrical data	
Supply voltage	24 VDC
IO-Link port	M12 × 1, A-coded
Max. load current above IO-Link port	40 mA via USB-B (1.6 A via plug-in power supply)
Network connection	USB-B

Mechanical data	
Dimensions	54 x 41 x 24 mm
Weight	approx. 0.096 kg
Ambient temperature	-5...+55 °C
Storage temperature	-25...+70 °C
Protection class	IP40

Functional principle

IO-Link devices are easily put into operation with the IO-Link master 1.1.

Commissioning of IO-Link devices, reading of process data (PD) and reading/writing of specified service data (SD) is possible, independently from the higher-level control. Pin 4 (C/Q) of the IO-Link master can be operated either in the IO-Link mode (IOL) or in the standard IO mode (SIO), depending on the DTM parametrization. The following transmission rates are possible 4.8 kbps (COM1), 38.4 kbps (COM2) and 230.4 kbps (COM3). Depending on the connected IO-link device, data back-up via an integrated parametrizing server is also supported.

Easy connection to PC via USB port. Latest DTM version available for download on www.turck.com.

IO-Link devices are directly supplied via the integrated mini USB port. In the event of increased current consumption, the connected devices should be supplied by the external plug-in power unit.

LED status IO-Link master

LED	Color	Status	Description
PWR	yellow	off	power off
		flashing	undervoltage, overload with power supply via USB
		on	ready
CH1(C/Q)	green	off	SIO mode active
		slowly flashing	IO-Link Scan Mode active, no communication
		fast flashing	IO-Link Preoperate Mode active
		on	IO-Link Operate Mode active
	yellow	off	low signal at port 1
		on	high signal at port 1
CH2(DI/DO)	yellow	off	low signal at port 2
		on	high signal at port 2
Error	red	off	no error
		on	short-circuit, overload, communication error